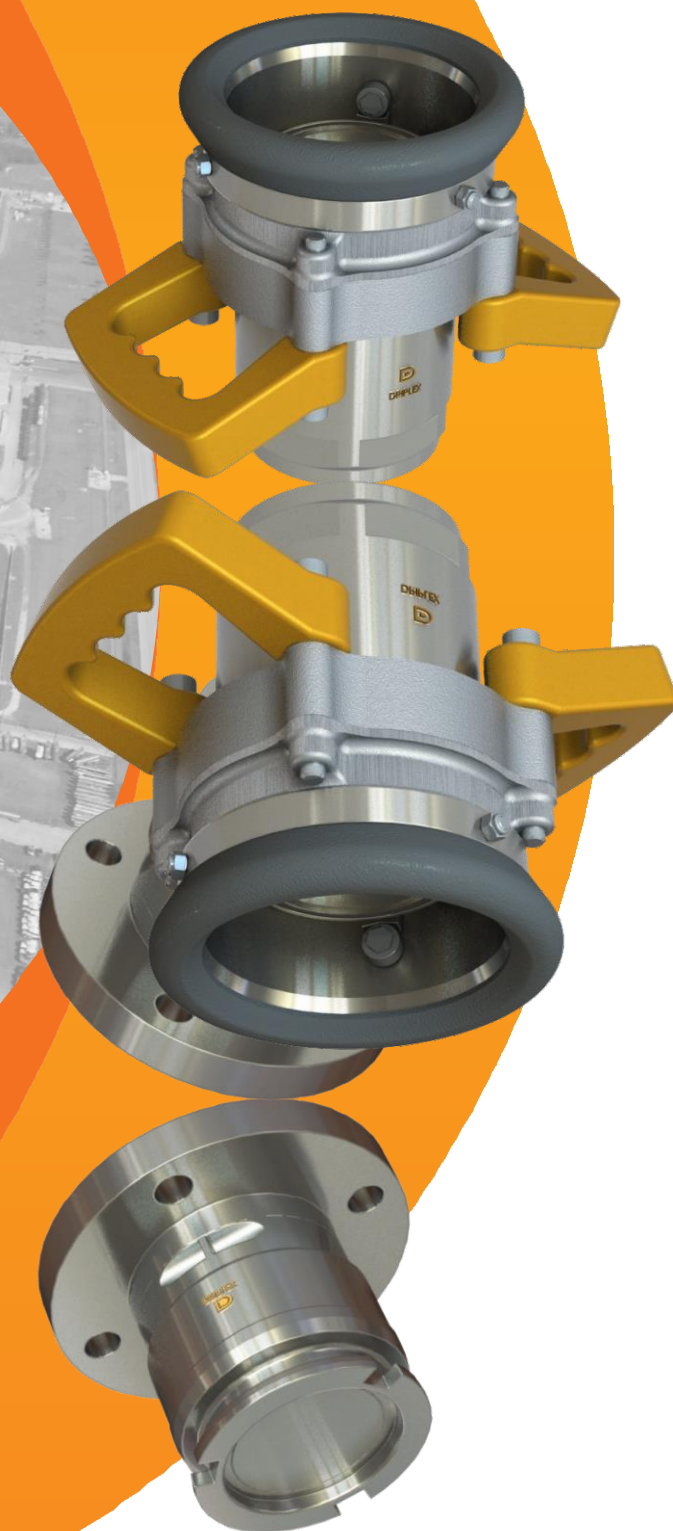




**DRIPLEX**  
ENGITECH



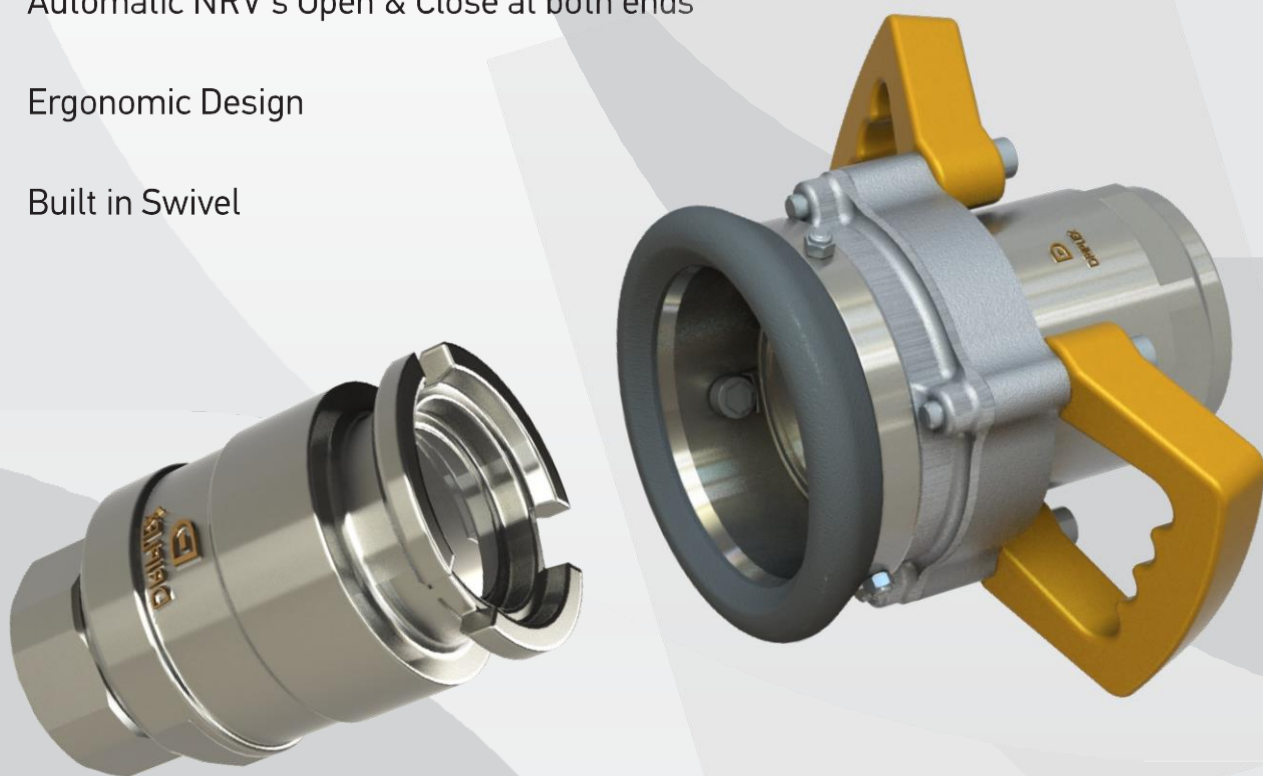
ООО «ТИ-СИСТЕМС» ИНЖИНИРИНГ И ПОСТАВКА ТЕХНОЛОГИЧЕСКОГО ОБОРУДОВАНИЯ  
Интернет: [www.tisys.ru](http://www.tisys.ru) [www.tisys.kz](http://www.tisys.kz) [www.tisys.by](http://www.tisys.by) [www.tesec.ru](http://www.tesec.ru) [www.ти-системс.рф](http://www.ти-системс.рф)  
Телефоны: +7 (495) 7774788, 7489626, (925) 5007155, 54, 65  
Эл. почта: [info@tisys.ru](mailto:info@tisys.ru) [info@tisys.kz](mailto:info@tisys.kz) [info@tisys.by](mailto:info@tisys.by)

Driplex engineering is part of a group which has a proud 60 year legacy in the field of engineering within the fluid transfer industry. We have the expertise and commitment to manufacture the perfectly engineered Drybreak Couplings & BreakAway Couplings.

Driplex Drybreak Couplings are an internationally recognised and preferred hose/loading arm connection mechanism which acts as an NRV to seal off both the hose/loading arm and the fixed pipeline end after disconnection.

Our couplings are robustly designed and immaculately engineered for applications ranging from water, oil to extremely aggressive chemicals and gasses.

- Single Operation Couplings
- Automatic NRV's Open & Close at both ends
- Ergonomic Design
- Built in Swivel



Interchangeable with other Makes •

Ready Stock •

Quick & Easy to Operate •

Low Maintenance •



ООО «ТИ-СИСТЕМС» ИНЖИНИРИНГ И ПОСТАВКА ТЕХНОЛОГИЧЕСКОГО ОБОРУДОВАНИЯ

Интернет: [www.tisys.ru](http://www.tisys.ru) [www.tisys.kz](http://www.tisys.kz) [www.tisys.by](http://www.tisys.by) [www.tesec.ru](http://www.tesec.ru) [www.ти-системс.рф](http://www.ти-системс.рф)

Телефоны: +7 (495) 7774788, 7489626, (925) 5007155, 54, 65

Эл. почта: [info@tisys.ru](mailto:info@tisys.ru) [info@tisys.kz](mailto:info@tisys.kz) [info@tisys.by](mailto:info@tisys.by)

Driplex Drybreak Couplings are categorically required when your service media is:

- ▶ Unsafe for the environment and human personnel around
- ▶ Expensive
- ▶ Difficult to clean in case of leakages

## How It Works

Attached on the  
Hose/Loading Arm,  
also known as :  
Coupler or  
Female Coupling



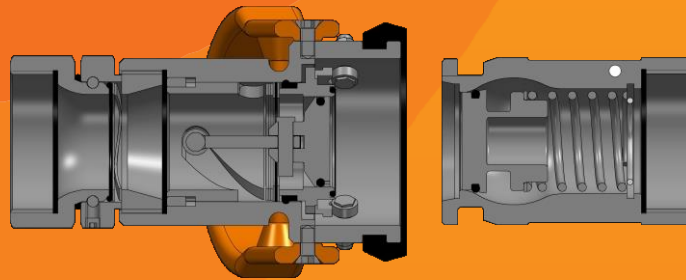
Hose Unit



Tank Unit

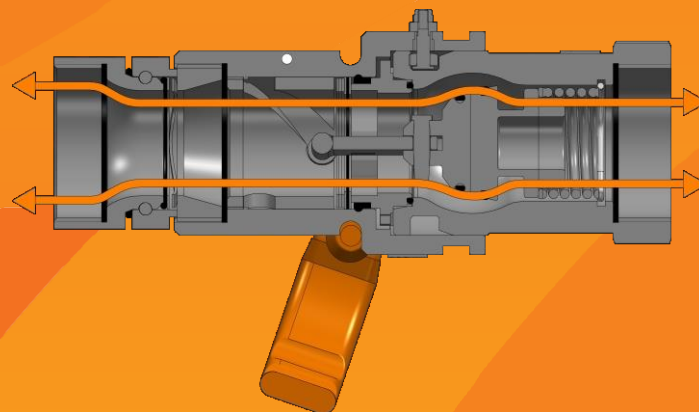
Attached on the  
Manifold,  
also known as :  
Adaptor or  
Male Coupling

### Before Operation



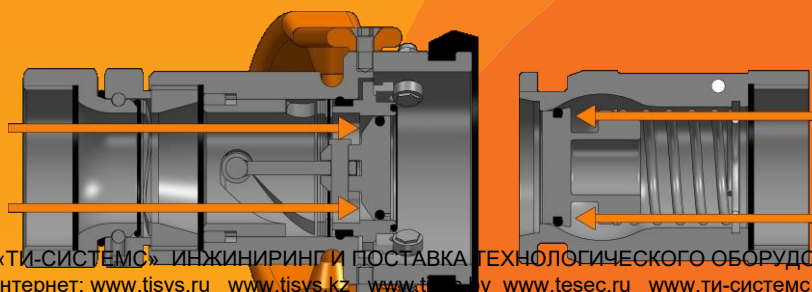
### During Operation

Flow can be in  
Any Direction



### After Operation

Automatic  
Sealing on  
Disconnection



ООО «ТИ-СИСТЕМС» ИНЖИНИРИНГ И ПОСТАВКА ТЕХНОЛОГИЧЕСКОГО ОБОРУДОВАНИЯ

Интернет: [www.tisys.ru](http://www.tisys.ru) [www.tisys.kz](http://www.tisys.kz) [www.tisys.by](http://www.tisys.by) [www.tesec.ru](http://www.tesec.ru) [www.ти-системс.рф](http://www.ти-системс.рф)

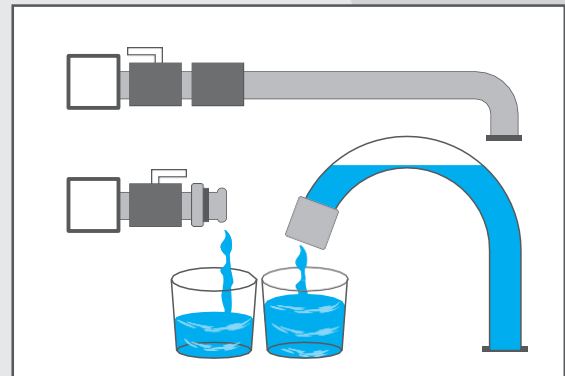
Телефоны: +7 (495) 7774788, 7489626, (925) 5007155, 54, 65

Эл. почта: [info@tisys.ru](mailto:info@tisys.ru) [info@tisys.kz](mailto:info@tisys.kz) [info@tisys.by](mailto:info@tisys.by)

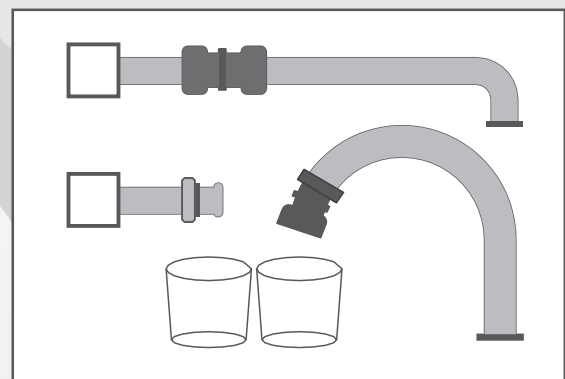
## Why use Driplex Drybreak Couplings (DDC)

- **Increases Safety:**  
DDC's have a mechanically operated valve design which eliminates the chances of spillage. This in turn increases human and environmental safety.
- **No Loss of Media:**  
These couplings are technologically advanced which does not allow the transfer fluid to leak on disconnection, resulting into loss of media. Eliminating the use of drain buckets.
- **Easy To Operate:**  
There is an inbuilt swivel, hence only the handles need to be rotated. The valves open and shut automatically.
- **Flow rate:**  
Ergonomically designed couplings for excellent flow rates.

### Operation without Driplex Coupling



### Operation with Driplex Coupling



## Application Areas



CHEMICAL



REFINERY



TRACK & RAIL WAGON



JETTY



LUBE



BUNKERING



TANK FARM



OFFSHORE

ООО «ТИ-СИСТЕМС» ИНЖИНИРИНГ И ПОСТАВКА ТЕХНОЛОГИЧЕСКОГО ОБОРУДОВАНИЯ

Интернет: [www.tisys.ru](http://www.tisys.ru) [www.tisys.kz](http://www.tisys.kz) [www.tisys.by](http://www.tisys.by) [www.tesec.ru](http://www.tesec.ru) [www.ти-системс.рф](http://www.ти-системс.рф)

Телефоны: +7 (495) 7774788, 7489626, (925) 5007155, 54, 65

Эл. почта: [info@tisys.ru](mailto:info@tisys.ru) [info@tisys.kz](mailto:info@tisys.kz) [info@tisys.by](mailto:info@tisys.by)



## Driplex Drybreak Coupling (DDC)

Specially designed couplings for transfer of liquids including Oil, Water, Organic & Inorganic chemicals.

Size Range : ¾ inch to 6 inch

Material of Couplings : Stainless Steel, Aluminium, Bronze and Hastelloy (C276)

Seals : FKM (Viton®), NBR (Nitrile), EPDM, Chemraz®, Kalrez®.

End Connections : Threaded – BSP, NPT, ISO  
Flange – ANSI, ASME, ISO, DIN, TTMA

Working Pressure : 10 bar - 25 bar

Safety Factor : 5:1

Compatibility : NATO STANAG 3756.

Standard : As per EN 13480 & EN 13445

### Options Available:

- Locking arrangement on hose units for added safety
- Selectivity pin option for avoiding cross contamination
- Dust Caps and Dust Plugs available
- Colour coded adaptors
- Handles with different colours
- Round handles



## Driplex Drybreak Coupling – Gas (DDC – Gas)

Specially designed couplings with internals specially engineered to handle transfer of LPG products such as Propane and Butane in Liquid and Vapour lines.

Perfectly interchangeable with TODO Gas® and Mann-Tek Dry Gas Couplings®

Size Range	:	¾ inch to 3 inch
Material of Couplings	:	Stainless Steel
Seals	:	FKM (Viton®)
End Connections	:	Threaded – BSP, NPT, ISO Flange – ANSI, ASME, ISO, DIN
Working Pressure	:	25 bar
Safety Factor	:	6:1
Standard	:	As per EN 13175, EN 13480 & EN 13445

### Options Available:

- Locking Arrangement on Hose Units for added safety
- Pressure Equalizing Valve option for Adaptors
- Colour Coded Adaptors for liquid and vapour line
- Handles with different colours for liquid and vapour line
- Round Handles



Viton® registered trademarks of DuPont Performance Elastomers.

TODO Gas® is a registered trademark of Mann-Tek AB. Интернет: [www.tisys.ru](http://www.tisys.ru) [www.tisys.kz](http://www.tisys.kz) [www.tisys.by](http://www.tisys.by) [www.tesec.ru](http://www.tesec.ru) [www.ti-системс.рф](http://www.ti-системс.рф)

Dry Gas Couplings® is a registered trademark of Mann-Tek AB. Телефоны: +7 (495) 7774788, 7489626, (925) 5007155, 54, 65

Эл. почта: [info@tisys.ru](mailto:info@tisys.ru) [info@tisys.kz](mailto:info@tisys.kz) [info@tisys.by](mailto:info@tisys.by)

# BreakAway Couplings

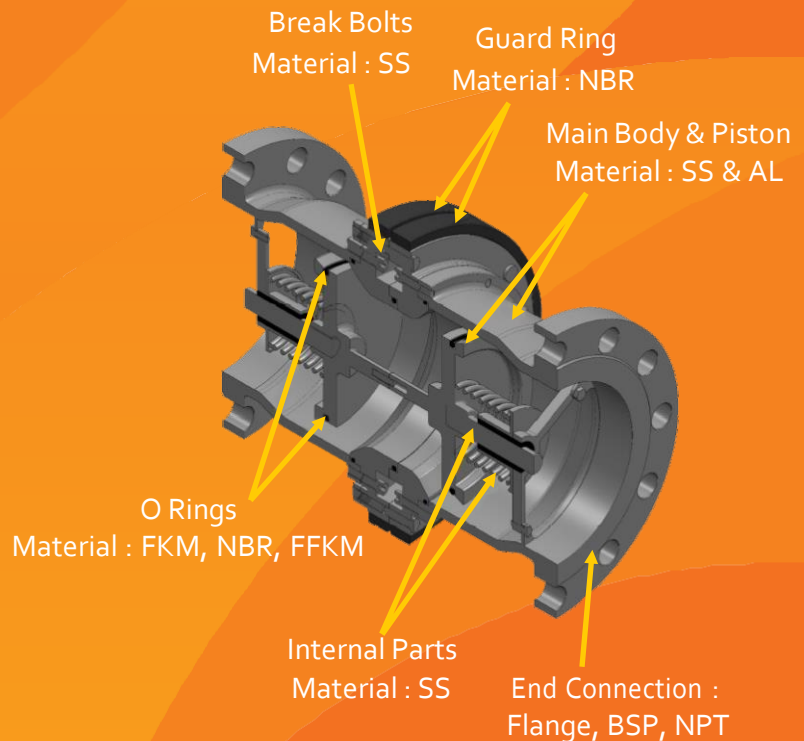
DRIPLEX provides safety solutions to suit Loading Arms and Hoses when subjected to unwarranted load caused by drive away and pull incidents. DRIPLEX Safety BreakAway couplings are engineered to prevent and reduced spillage.

Breakaway acts as the weakest link in the transfer system. Hence before the hose gets ruptured or the loading arms break these couplings Break stopping the flow of the service media. This eliminates the risk of spillages or any other major accidents.



## Technical Data:

Size Range	: 2" to 12"
Material of Couplings	: Stainless Steel, Aluminum, Hastelloy or any other material on request.
Seals	: FKM (Viton®), NBR (Nitrile), EPDM or any other fluoroelastomer material on request.
End Connection	: Threaded - BSP, NPT, ISO Flange - ANSI, ASME, ISO, DIN, TTMA
Working Pressure	: up to 40 Bar
Temperature Range	: -20°C to 150°C



DRIPLEX Break-Away is a high-performance safety product which provides the best flow rate. They can be easily handled, are lightweight and of smaller design.



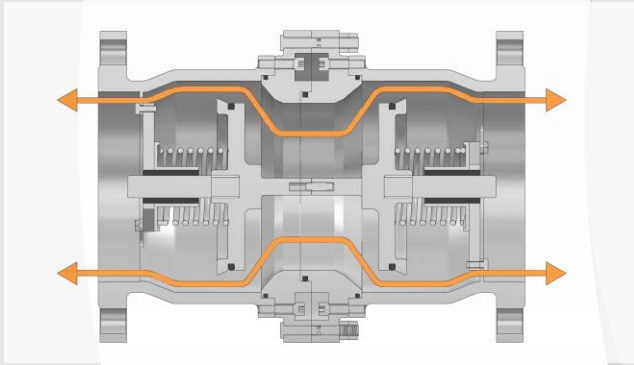
ООО «ТИ-СИСТЕМС» ИНЖИНИРИНГ И ПОСТАВКА ТЕХНОЛОГИЧЕСКОГО ОБОРУДОВАНИЯ

Интернет: [www.tisys.ru](http://www.tisys.ru) [www.tisys.kz](http://www.tisys.kz) [www.tisys.by](http://www.tisys.by) [www.tesec.ru](http://www.tesec.ru) [www.ти-системс.рф](http://www.ти-системс.рф)

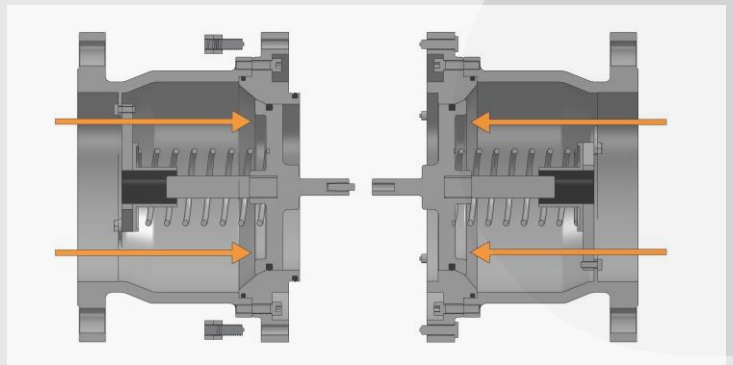
Телефоны: +7 (495) 7774788, 7489626, (925) 5007155, 54, 65

Эл. почта: [info@tisys.ru](mailto:info@tisys.ru) [info@tisys.kz](mailto:info@tisys.kz) [info@tisys.by](mailto:info@tisys.by)





Flow position under normal operation:  
The coupling consists of two halves,  
each with a valve (piston) which is open.



Break position during an incident:  
During separation the pin breaks and the  
spring-loaded valves (pistons) instantly  
close and the flow stops.

Under normal circumstances the BreakAway is in Flow position and the liquid or gas can transfer smoothly. The male and female couplings are sealed from the pistons ensuring no leakages.

When there is a sudden excessive load on the couplings due to a pull or a drive away incident, the break pins break. These break pins are designed to break at a pre calculated load.

Once the break pins break, the coupling male and female isolate, instantaneously the valves (pistons) on the couplings close due to the spring. This leads to stoppage of the flow path for the media with minimal spillage.

DRIPLEX BreakAways can be easily reset with a new set of break pins and o-rings need to be changed.



ООО «ТИ-СИСТЕМС» ИНЖИНИРИНГ И ПОСТАВКА ТЕХНОЛОГИЧЕСКОГО ОБОРУДОВАНИЯ  
Интернет: [www.tisys.ru](http://www.tisys.ru) [www.tisys.kz](http://www.tisys.kz) [www.tisys.by](http://www.tisys.by) [www.tesec.ru](http://www.tesec.ru) [www.ти-системс.рф](http://www.ти-системс.рф)

Телефоны: +7 (495) 7774788, 7489626, (925) 5007155, 54, 65

Эл. почта: [info@tisys.ru](mailto:info@tisys.ru) [info@tisys.kz](mailto:info@tisys.kz) [info@tisys.by](mailto:info@tisys.by)

